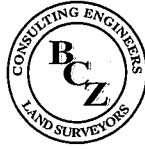


Bruner, Cooper & Zuck, Inc.

Stephen M. Bruner, P.E., P.L.S.

Kevan J. Cooper, P.E., P.L.S.

Gregory C. Peterson, P.E., S.E.



Civil Engineers

Structural Engineers

Land Surveyors

ADDENDUM NO. 1
TO THE
PLANS AND SPECIFICATIONS FOR
SANITARY SEWER SYSTEM
BRENTWOOD AND PARKVIEW SUBDIVISIONS
KNOX COUNTY, ILLINOIS

NOTE: Wherein this Addendum conflicts with the "Specifications", dated January 31, 2009, this Addendum shall govern.

SPECIFICATIONS

1. INFORMATION FOR BIDDERS:
Revise bid opening date from September 11, 2009 to September 18, 2009, same time of day and location.
2. DIVISION 11, SECTION 11010, Page 5, 2.04 C.:
Revised the minimum basin height from 60 inch to 72 inch.
3. DIVISION 50:
Add the attached cleanout details.

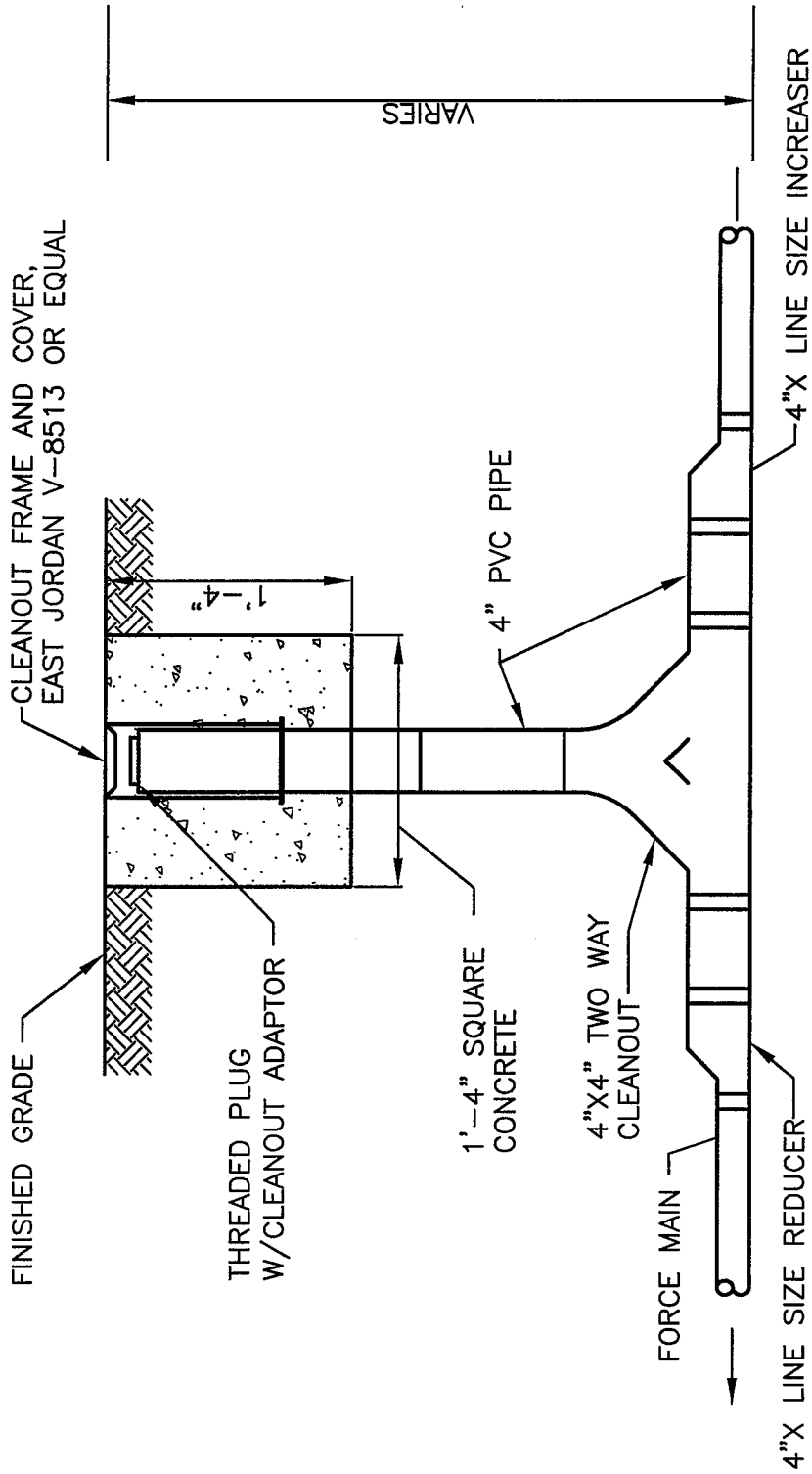
PLANS

1. Replace Sheet 38 of 38 with the attached revised Sheet 38 of 38.

NOTE: Bidders shall note in writing on the Bid Form that this Addendum has been taken into consideration, identifying same as Addendum No. 1, dated September 1, 2009.

270194

Addendum No. 1 - Page 1 of 1



SECTION -- TYPICAL IN LINE CLEANOUT

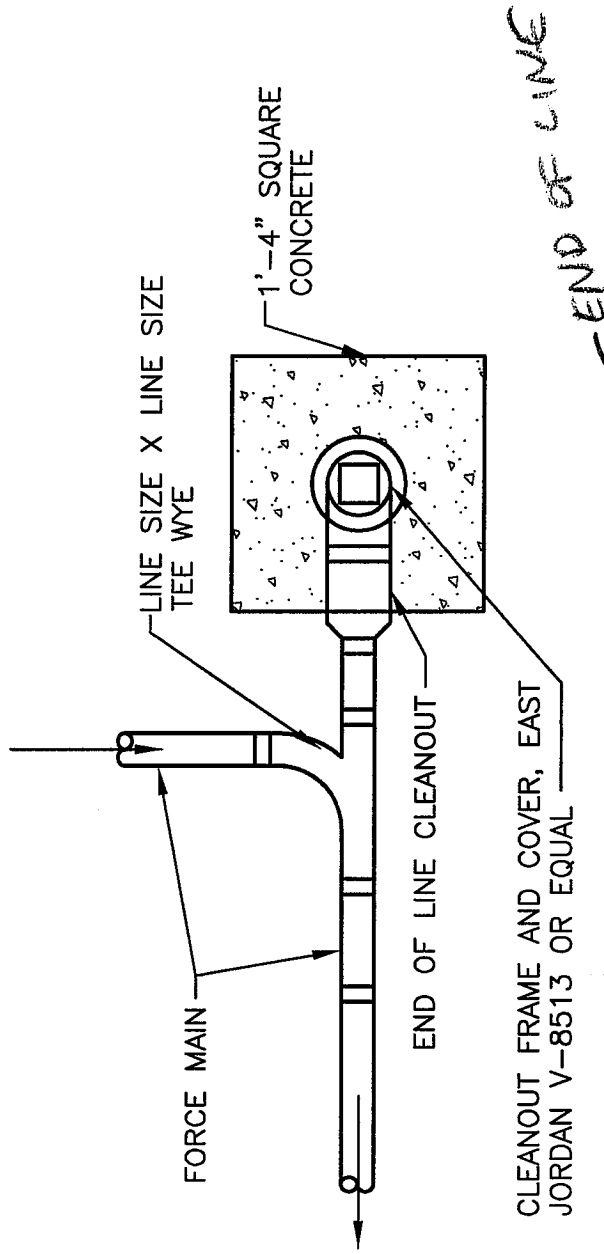
SCALE: NONE

ADDENDUM 1

SANITARY SEWER SYSTEM
 OAK RUN DEVELOPMENT
 SPOON RIVER SANITARY DISTRICT

Brunner, **C**ooper & **Z**uck, Inc.
 Consulting Engineers
 188 E. Simmons St.
 Galesburg, Illinois 61402
 Ph: 309-343-2222 Fax: 309-343-9332
 www.bczengineering.com

JOB NO. 270194 DATE: 08/28/2009

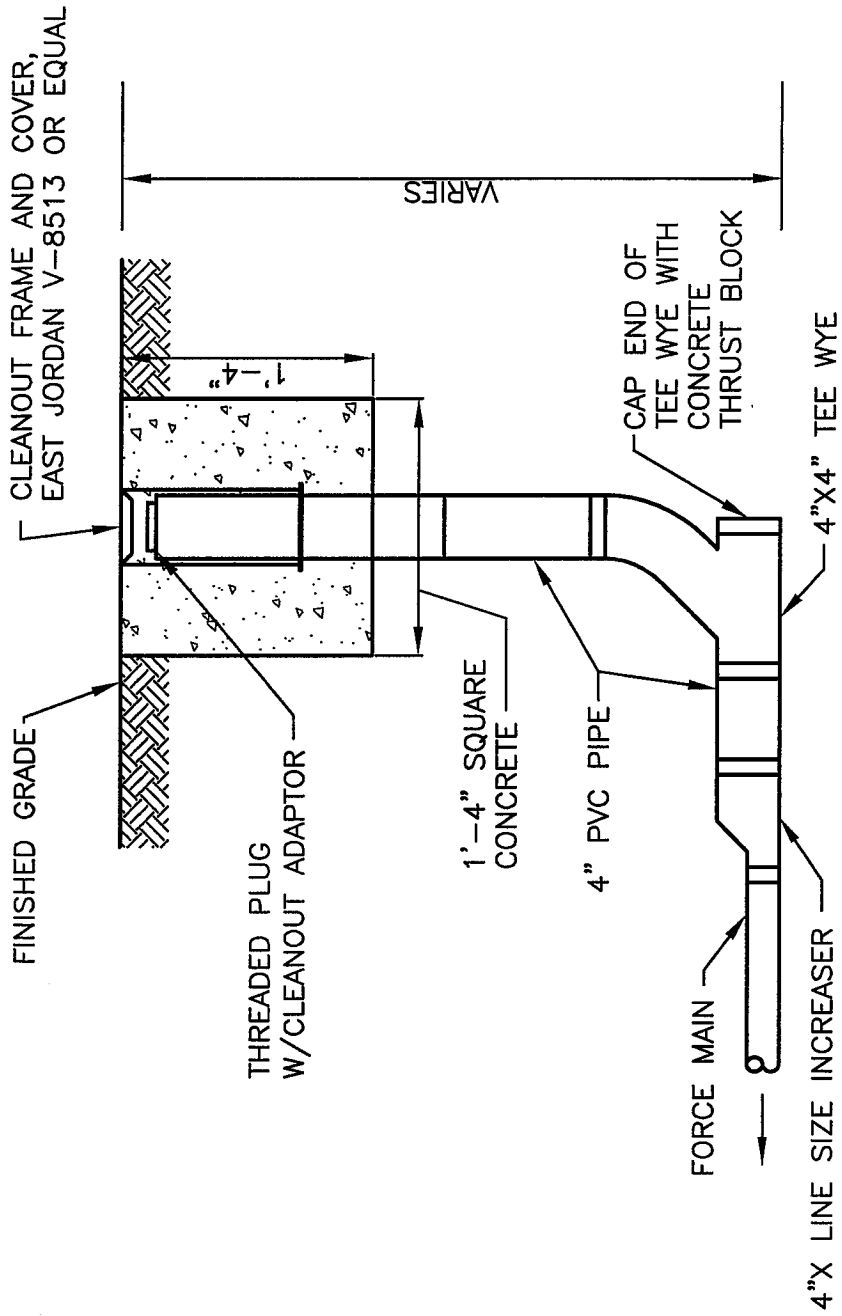


SECTION -- TYPICAL 90° BEND W/CLEANOUT

SCALE: NONE

NOTE: 22 1/2° & 45° WYES ARE SIMILAR

ADDENDUM 1



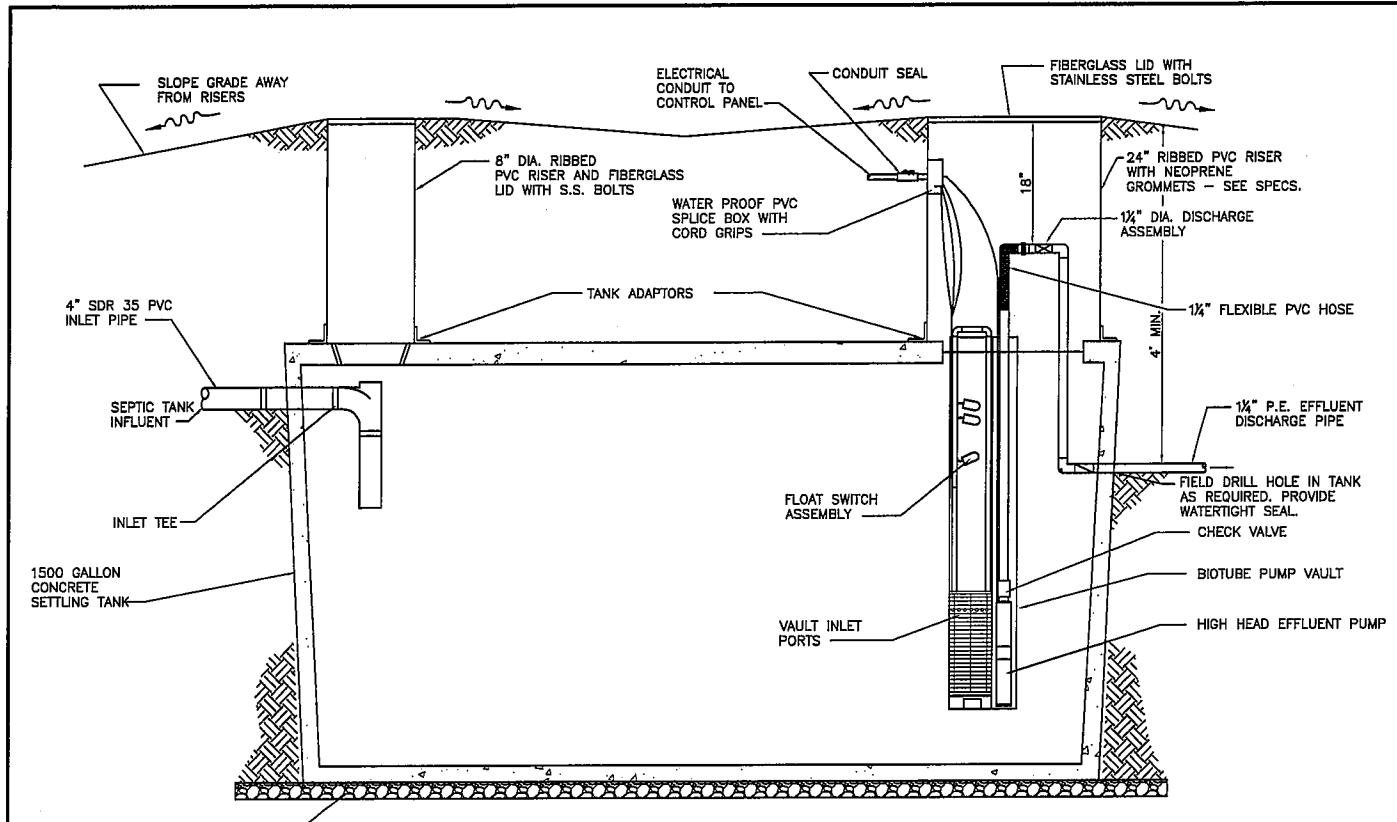
SECTION - TYPICAL END OF LINE CLEANOUT
 SCALE: NONE

ADDENDUM 1

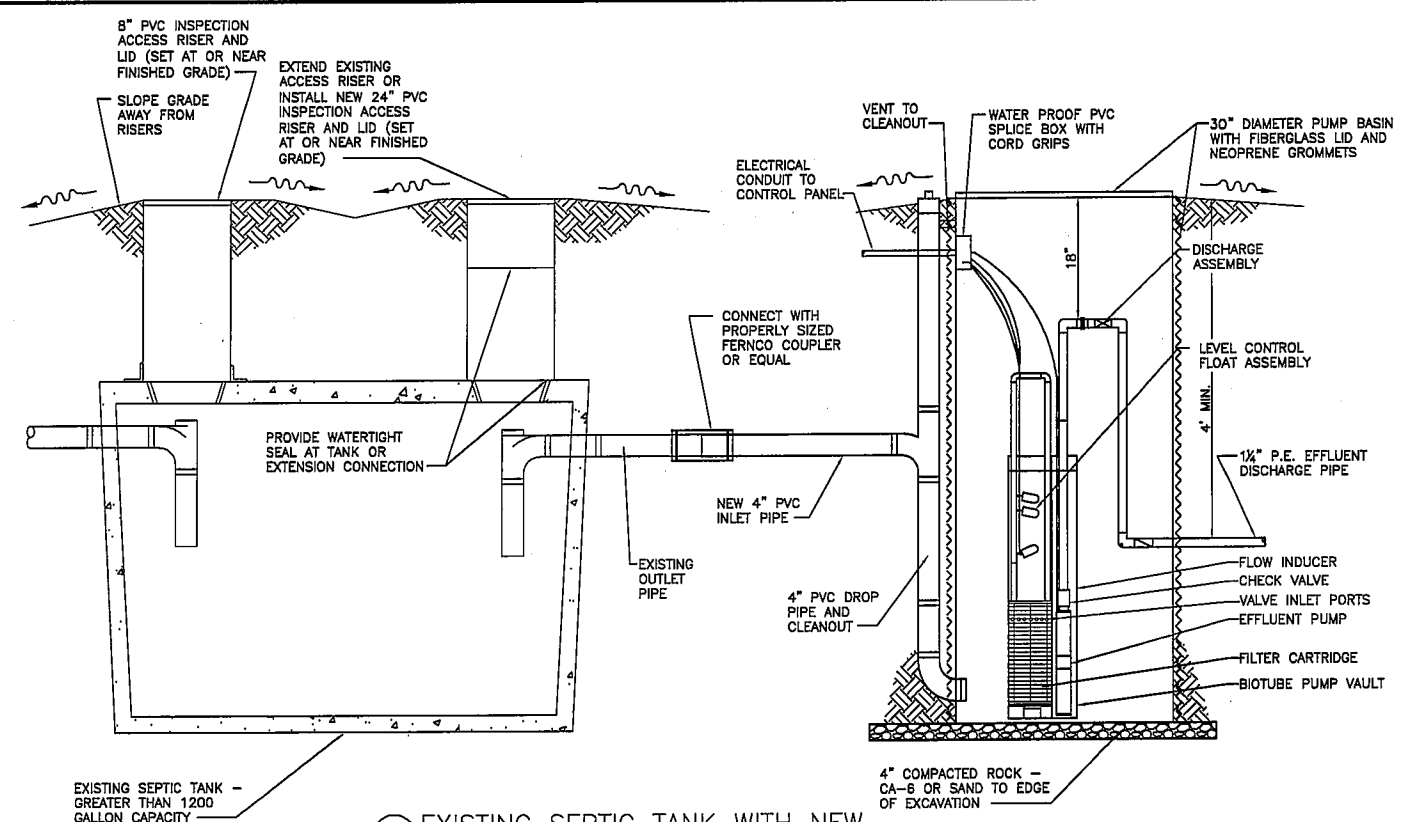
SANITARY SEWER SYSTEM
 OAK RUN DEVELOPMENT
 SPOON RIVER SANITARY DISTRICT

Brunner, **C**ooper & **Z**uck, Inc.
 Consulting Engineers Structural Engineers Land Surveyors
 186 E. Simmons St.
 Galesburg, Illinois 61402
 Ph: 309-343-2226 Fax: 309-343-3232
 www.bczengineering.com

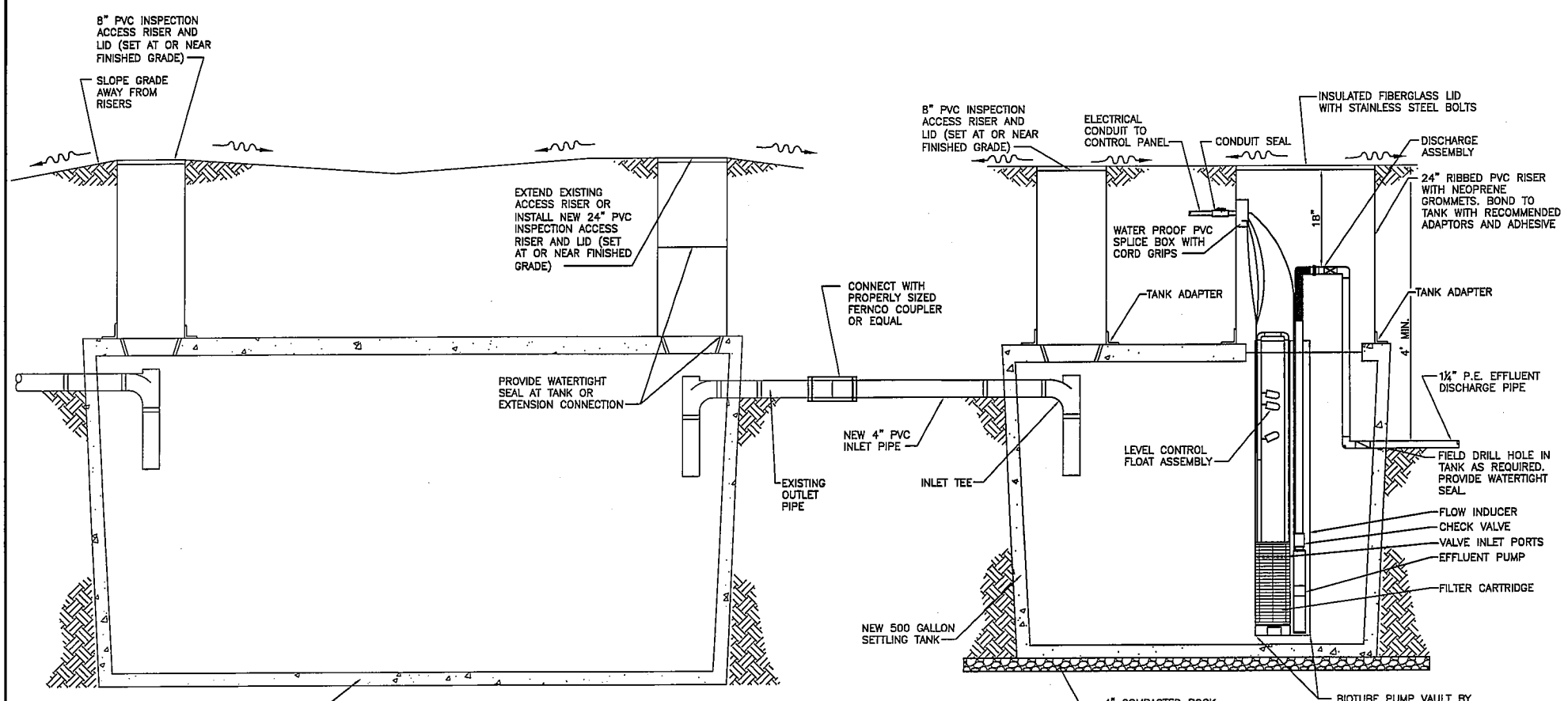
JOB NO. 270194 DATE: 08/28/2009



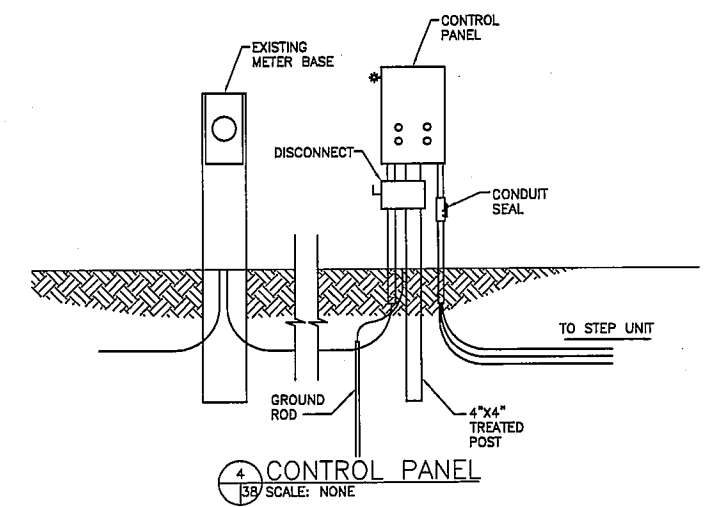
1 NEW 1500 SETTLING TANK WITH SIMPLEX HIGH HEAD PUMPING ASSEMBLY
 SCALE: NONE
 NOTE: CONCRETE TANK SHOWN, FIBERGLASS TANK MAY BE USED - SEE SPECIFICATIONS



3 EXISTING SEPTIC TANK WITH NEW PUMP BASIN AND SIMPLEX PUMP VAULT
 SCALE: NONE



2 EXISTING SEPTIC TANK WITH NEW 500 GALLON SETTLING TANK AND SIMPLEX PUMP VAULT
 SCALE: NONE
 NOTE: CONCRETE TANK SHOWN, FIBERGLASS TANK MAY BE USED - SEE SPECIFICATIONS



4 CONTROL PANEL
 SCALE: NONE

REVISIONS	07/14/2009 REV. DISCHARGE PIPE
DRAWN: RRR	CHECKED: ORS
APPROVED: KJC	FILE NAME: 270194\PLANSET\SHEET 38.DWG
Bruner, Cooper & Zuck, Inc. Consulting Engineers Structural Engineers Land Surveyors PROFESSIONAL DESIGN FIRM 188 East Simons Street Peoria, IL 61614-3032 Phone: (309) 345-9082 Fax: (309) 343-3032 E-Mail: bcz@brunercopco.com Celebrating 100 Years 1902-2002	
DETAILS SANITARY SEWER SYSTEM OAK RUN DEVELOPMENT SPOON VALLEY LAKE SANITARY DISTRICT KNOX COUNTY, ILLINOIS	
JOB NO.	270194
SHEET NO.	38
OF 38	
DATE	06/31/2008